



OVAL GEAR FLOWMETER

SERIES

POGF

Fluidex series POGF is a Positive Displacement Flow Meter. The meters have two rotating gears in oval-shape. A fixed amount of the liquid passes between the gear teeth and through the meter after each revolution. The flow rate is identified by the number of shaft rotations. POGF are used in a wide range of applications where accurate measurement of liquid is required. Being manufactured in PPS, the meter can handle clean water based products and aggressive chemicals

### FEATURES AND BENIFITS:

- ⚙ High accuracy & repeatability
- ⚙ No need for flow conditioning
- ⚙ Measure low & high viscosity liquids
- ⚙ Available in DN25 (1") lines size
- ⚙ Flow range covered from 10~150 LPM (2.6~40 US GPM)
- ⚙ Pressure up to 5 BAR (70 PSI)
- ⚙ Available with screwed ends
- ⚙ Available with wide range of electronic registers
- ⚙ Available in explosion proof and Intrinsically Safe enclosures
- ⚙ Quadrature pulse output option & bi-directional flow.

### APPLICATIONS

- ⚙ Non aromatic / non halogenated chemicals
- ⚙ Water based liquids
- ⚙ Diesel exhaust fluid
- ⚙ Petroleum products (Oils, grease, fuels, fuel oils,...etc)

### STANDARD OPTIONS:

- ▶ *Flanged and hygienic process connections*
- ▶ *Explosion proof*
- ▶ *Mechanical registers*
- ▶ *Integral and remote LCD totalizer and batch totalizer*
- ▶ *Flow rate totalizers*
- ▶ *Scaled pulse*
- ▶ *4~20mA & flow alarm outputs*
- ▶ *Electronic batch controllers and pulse processing modules*



## GENERAL SPECIFICATIONS

### SIZE

POGF DN25 (1")

### FLOW RANGE

LPM 10~150  
US GPM 2.6~40

### METER PERFORMANCE

Accuracy @ 3cp ± 0.5% of reading  
(± 0.2% with optional NL correction)  
Repeatability Typically ± 0.03% of reading

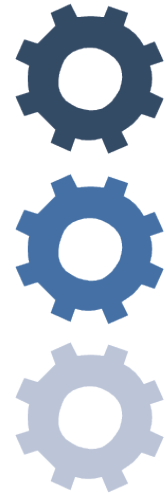
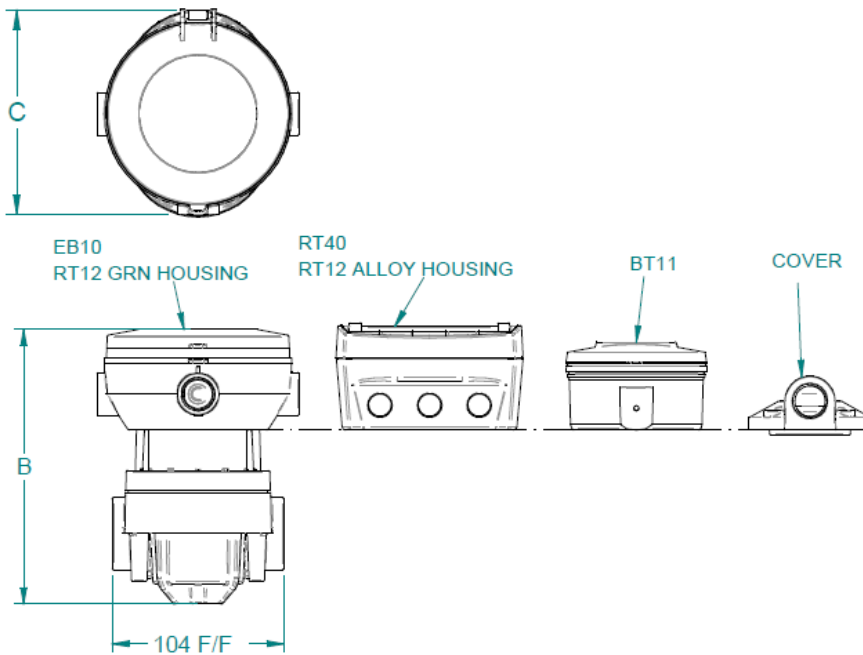
### PRESSURE RANGE

Bar (PSI) Up to 5 (70)

### TEMPERATURE RATINGS

Range\* -20°C~+80°C (-4°F~+180°F)  
(\* Consult factory for lower temperature)

## DIMENSIONS



### PULSE OUTPUT OPTIONS

	Pulses / litre (Pulses / US Gallon) Nominal
Reed switch	27 (102)
Hall effect	107 (405)
Quadrature Hall option	54 (204)
Reed switch output	30Vdc x 200mA max. (max. temperature shock 10°C (50°F) per minute)
Hall effect output (NPN)	3 wire open collector, 5~24Vdc, 20mA max.

### ENVIRONMENTAL/HAZARDOUS CLASSIFICATION

Protection class IP66/67 (NEMA4X),  
Optional Exd I/IB T4/T6 or I.S.

### RECOMMENDED FILTRATION

Size 150 microns (100 mesh) minimum

Register Options	POGF025	
	B	C
RT (GRN) / EB Register	167	124
BT Register	158	94
RT (Alloy) Register	170	96
Cover	123	74



## METER SELECTION MATRIX AND ORDER CODE

	Size		LPM*	US GPM*	(*) Maximum flow is to be reduced as viscosity increases. Recommended pressure drop is 100 Kpa (15 psi)	
POGF025	DN25	1"	10~150	2.6~40		
	Body material					
	P	Glass Reinforced PPS				
	Rotor materials					
	0	TF-PPS rotors (Teflon Filled Polyphenylene)				
	1	Keishi cutting of TF-PPS rotors (for high viscosity liquids)				
	Bearing type					
	0	No bearing (PPS rotors only)				
	O-ring materials					
		1	Viton (Standard)	Temperature	-15~+120°C (5~+250°F)	
		2	Ethylene Propylene Rubber		Up to 150°C (300°F) max.	
		3	Teflon encapsulated Viton		Up to 150°C (300°F) max.	
		4	Buna-N (Nitrile)		-40~+120°C (-40~+250°F)	
	Temperature limits					
		-	8	80°C (176°F)		
	Process connections					
		1	BSPP (G) female threaded			
		2	NPT female threaded			
	Cable entries					
		1	M20 x 1.5 mm			
		2	½" NPT			

Order Code Example

POGF015	P	1	0	1	-	8	1	1	R2
---------	---	---	---	---	---	---	---	---	----

	Integral options	Remarks
	00	Nil
	RS	Reed Switch only To suit I.S. Installations
2 NPN open collector phased outputs	QP	Quadrant pulse Not for high pressure
IEC. Ex & ATEX approved	Q1	Exd w/ Quadrature pulse Not for high pressure
For injected combustion engines	PF	Pulsating Flow option Hall effect output only
With scalable pulse output	B2	BT11 Dual Totalizer
IEC. Ex & ATEX approved	B3	BT11 Intrinsically Safe
Outputs: Scaled pulse, alarm, 4-20 mA	R0	RT12 Flow Rate Totalizer Alloy Housing
Outputs: Scaled pulse, alarm, 4-20 mA	R2	RT12 Flow Rate Totalizer GRN Housing
IEC. Ex & ATEX approved	R3	RT12 Intrinsically Safe
Large digit flow rate, totals, scaled pulse, backlighting	R4	RT40 Flow Rate Totalizer
(Consult Factory for availability) Adapts to pulse output board	FI	Loop powered 4~20mA 80°C max
DC powered 2 stage batch controller	E0	EB10 Batch Controller

Scan with your smart phone to download this brochure



**FLUIDEX PTY, LTD**  
 P.O.Box 185, Strathfield  
 NSW 2135  
 Australia  
 T +61-4-3576 4450 | F +61-2-8076 1533  
 sales@fluidex.com.au  
 www.fluidex.com.au

Distributor

